



# DDNG-BACnet

BACnet Network Gateway

## High level BACnet network integration

The Philips Dynalite DDNG-BACnet enables high level integration between a Philips Dynalite system and any building management system (BMS) that uses the BACnet protocol.

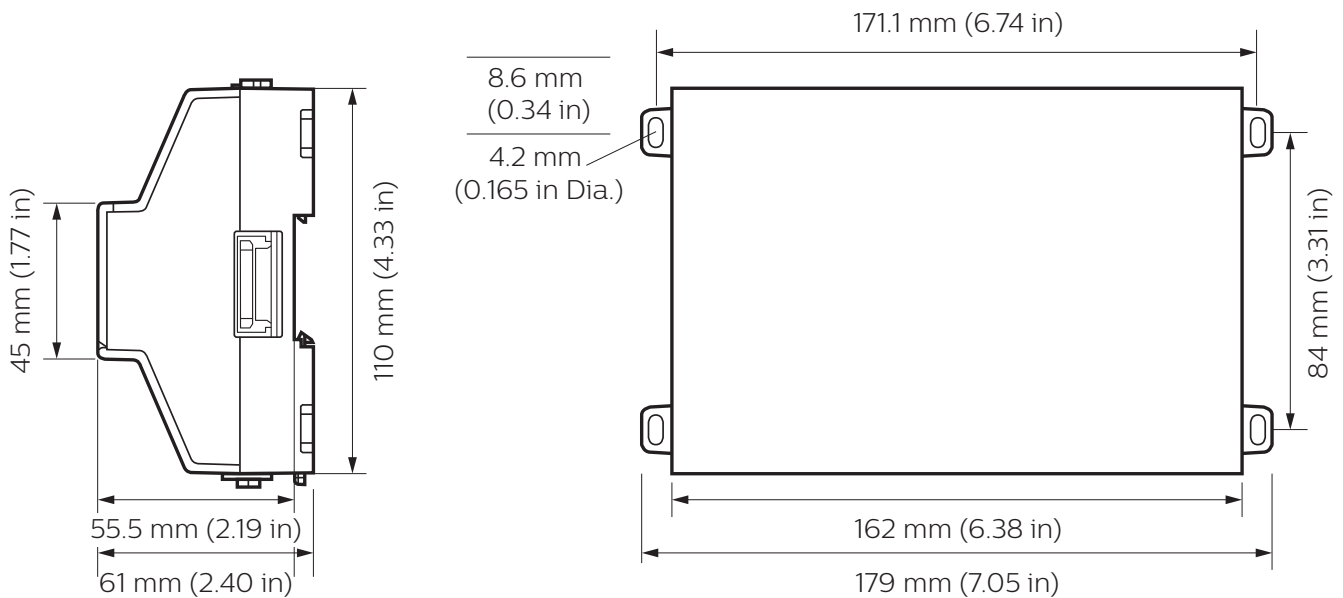
# DDNG-BACnet

## High level BACnet network integration

- **Direct control of lighting system** – Permits direct control of the lighting system via the building's BMS network.
- **Interrogation ability** – Allows interrogation of any area within the network for feedback of current lighting status.
- **Scalable functionality** – Provides solutions suitable for both small and large scale installations.

---

## Dimensions



# Specifications

Due to continuous improvements and innovations, specifications may change without notice.



**DDNG-BACnet**  
BACnet Network Gateway

## Electrical

Supply Type	AC/DC Class 2 external supply (not included)
Supply Voltage	24 VAC/VDC
Supply Current	1 A

## Control

Serial Ports	2 x RS-485 1 x USB 2.0 Type A 1 x USB micro-A
Communication Ports	2 x Ethernet (10/100 baseT) 1 x WLAN
Supported Protocols	DyNet BACnet IPv4
Wi-Fi Modes	Client or WAP IEEE802.11a/b/g/n IEEE802.11n HT20 @ 2.4GHz IEEE802.11n HT20/HT40 @ 5GHz
Wi-Fi Encryption	WPAPSK/WPA2PSK
Memory	1 x removable microSD (4GB total storage / 2GB user storage)
User Input	1 x USB backup/recovery button 1 x shutdown button 1 x WLAN mode switch 2 x RS-485 bias switches
Indicators	1 x WLAN LED (WLAN) 2 x RS-485 Tx/Rx LED (RS485-A/B) 1 x power LED (STAT) 1 x Heartbeat LED (BEAT) 2 x Ethernet link/activity LED(LAN1/2) 1 x backup LED (BACKUP)

## Physical

Dimensions (H x W x D)	110 x 179 x 61 mm (4.33 x 7.05 x 2.40 in)
Packed Weight	0.61 kg (1.34 lb)
Construction	Low profile DIN rail polycarbonate (10 unit)
Serial Ports	2 x 3-way pluggable screw terminal
Serial Port Conductor Size	2.5 mm <sup>2</sup> (#12 AWG) (max)
Communication Ports	2 x RJ45 1 x RP-SMA
Supply Terminals	1 x 2-way pluggable screw terminal 1 x earth spade lug (connector supplied) 1 x barrel connector jack
Supply Terminal Conductor Size	2.5 mm <sup>2</sup> (#12 AWG) (max)
Barrel Connector Plug size (L x OD x ID)	9.5 x 5.5 x 2.1 mm (0.37 x 0.22 x 0.83 in)

## Environment

Operating Temperature	-20° to 60°C ambient (-4° to 140°F)
Storage/Transport Temperature	-40° to 85°C ambient (-40° to 185°F)
Humidity	5 to 95% non-condensing
IEC Pollution Degree	III

## Compliance

Certification	CE, RCM, UL/cUL, FCC, ICES, RoHS
---------------	----------------------------------



## Ordering Code

### Product

DDNG-BACnet (N4 Platform, 25 Devices / 1250 Points)

**Philips 12NC**

913703247009

### Accessories

BACNET-DRIVER

(License to enable DyNet driver on compatible Tridium JACE devices)

913703097109



© 2018 Signify Holding. All rights reserved. Specifications are subject to change without notice. No representation or warranty as to the accuracy or completeness of the information included herein is given and any liability for any action in reliance thereon is disclaimed. Philips and the Philips Shield Emblem are registered trademarks of Koninklijke Philips N.V. All other trademarks are owned by Signify Holding or their respective owners.